

PARTS LIST FOR PN 20237 + 25126 + 20238 + 25127

ITEM	part	Description
1	06572	COLLET NUT
2	06545	COLLET (3/8")
2	06546	COLLET (8MM)
2	06573	COLLET (1/8")
2	06574	COLLET (3/16")
2	06575	COLLET (1/4")
2	06576	COLLET (3MM)
2	06577	COLLET (6MM)
3	06571	COLLET BODY
4	06565	RETAINER
5	06579	O-RING 7/8" X 1/4" X 3/16"
6	06609	O-RING
7	06510	BALL BEARING 3/8 X 7/8 X 9/32
8	06639	FRONT END PLATE
9	06561	ROTOR
10	06643	VANE, SET
11	06564	CYLINDER (18,000 RPM)
12	06560	REAR END PLATE
13	06527	WAVE WASHER .440 X .618 X .008
14	06508	BALL BEARING
15	06567	WASHER .251 X .468 X .063
16	06568	SCREW #8-32 X 3/8 BUT HD CAP
17	06638	HOUSING
18	06558	TORR PIN, 3/16 X 7/8
19	06543	O-RING
20	06511	O-RING
21	06556	REGULATOR
22	06501	SCREW, 6-32 X 3/4 SET SOC HEX
23	06598	HOUSING COVER
24	06642	LEVER
25	06559	GROOVE PIN, 1/8 X 7/8 TYPE E
26	06566	WARNING LABEL
27	06557	MUFFLER
28	06552	THROTTLE VALVE SEAT
29	06553	THROTTLE VALVE
30	06554	TAPER SPRING
31	06555	SCREEN
32	06608	O-RING, 1/16 X 5/8 X 3/4
33	06604	ROTATABLE EXHAUST DEFL ECTOR
34	06605	INLET BUSHING
35	06569	9/16" X 3/4" WRENCH

**PARTS LIST FOR PT# 20237 & 25126, 20000 RPM
and 20238 & 25127, 18000 RPM DIE GRINDERS**

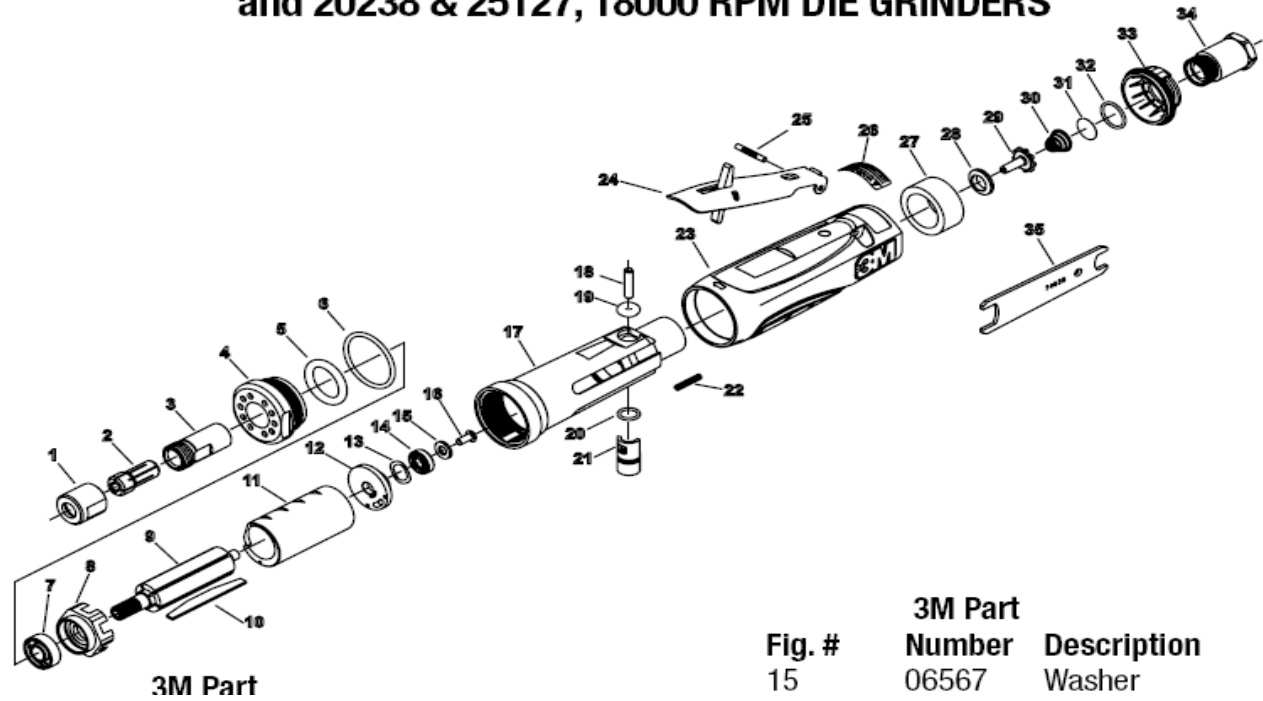


Fig. #	3M Part Number	Description
15	06567	Washer