

ITEM	part	Description
1	06572	COLLET NUT
2	06545	COLLET (3/8")
2	06546	COLLET (8MM)
2	06573	COLLET (1/8")
2	06574	COLLET (3/16")
2	06575	COLLET (1/4")
2	06576	COLLET (3MM)
2	06577	COLLET (6MM)
3	06571	COLLET BODY
4	06518	RETAINING RING
5	06507	BALL BEARING
6	06587	12,000 RPM GRINDER OUTPUT SHAFT
6	06592	8,000 RPM GRINDER OUTPUT SHAFT
7	06521	WAVE WASHER
8	06588	12,000 RPM GRINDER GEAR BOX
8	06593	8,000 RPM GRINDER GEAR BOX
9	06653	ANGLE HEAD CLAMP NUT
10	06655	LOCK RING
11	06520	PIN, 1/8 X 1/4
12	06609	O-RING
13	06506	BALL BEARING 3/8 X 7/8 X 9/32
14	06603	FRONT END PLATE
15	06640	ROTOR
16	06643	VANE, SET
17	06600	CYLINDER (8,000 RPM)
17	06602	CYLINDER (12,000 RPM)
18	06560	REAR END PLATE
19	06508	BALL BEARING
20	06638	HOUSING
21	06558	TORR PIN, 3/16 X 7/8
22	06543	O-RING
23	06511	O-RING
24	06556	REGULATOR
25	06501	SCREW, 6-32 X 3/4 SET SOC HEX
26	06598	HOUSING COVER
27	06642	LEVER
28	06559	GROOVE PIN, 1/8 X 7/8 TYPE E
29	06566	WARNING LABEL
30	06557	MUFFLER
31	06552	THROTTLE VALVE SEAT
32	06553	THROTTLE VALVE
33	06554	TAPER SPRING
34	06555	SCREEN
35	06608	O-RING, 1/16 X 5/8 X 3/4
36	06604	ROTATABLE EXHAUST DEFL ECTOR
37	06605	INLET BUSHING
38	06569	9/16" X 3/4" WRENCH

**PARTS LIST FOR PT# 20239 & 25128, 20000 RPM
and 20240 & 25129, 8000 RPM DIE GRINDERS**

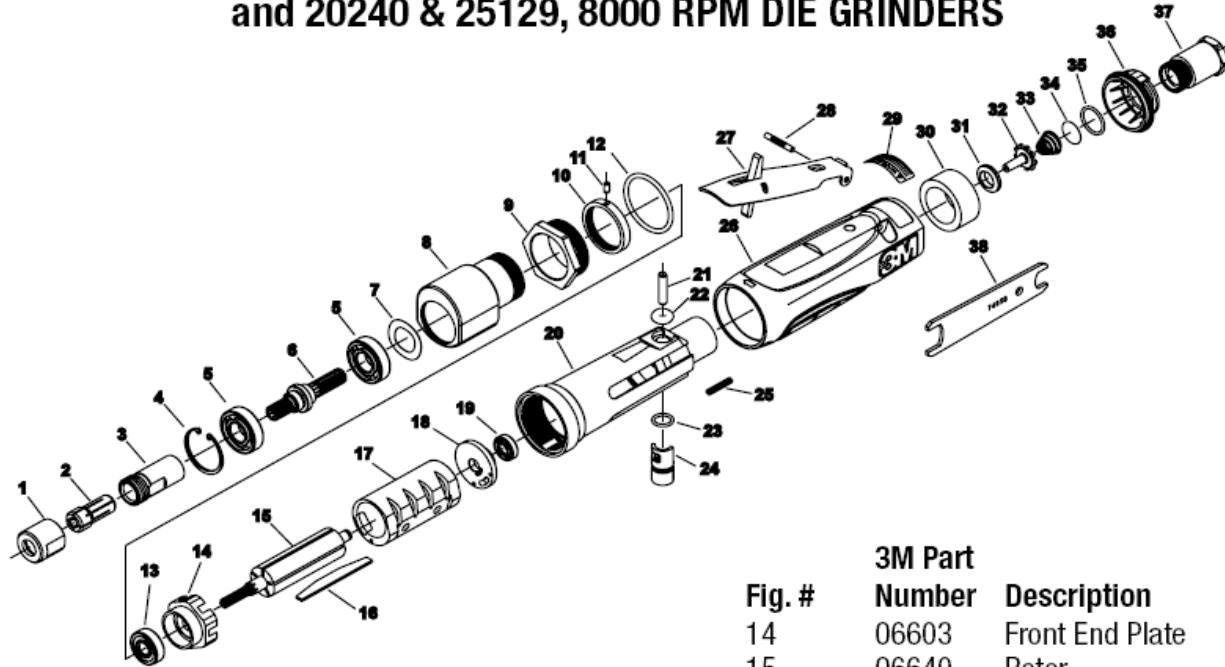


Fig. #	3M Part Number	Description
14	06603	Front End Plate
15	06640	Rotor